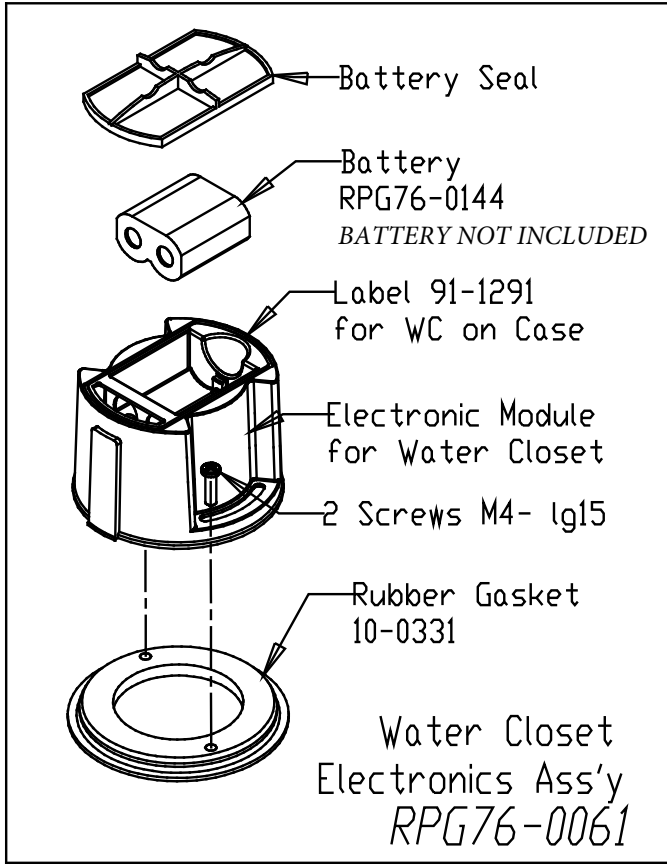


NOTES:

1. Each Part will be inserted in an individual small plastic bag.
All individual small bags will be placed together with the Card shown in a sealed bigger Plastic bag.
2. Card and bag sizes would be determined by Flush Tech.
3. Dimensions, Material and Finish are for reference only

REV	PCA	DATE	REVISIONS	INIT	APP'D
1		07/20/07	RELEASED FOR PRODUCTION	ALN	GP
2		03/18/08	Instructions	ALN	GP
3		2/12/21	ADDED "BATTERY NOT INCLUDED".	CPD	BL



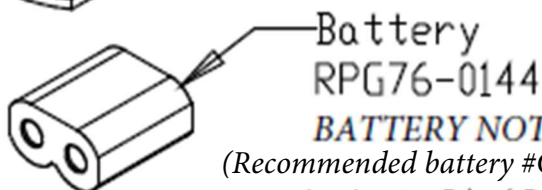
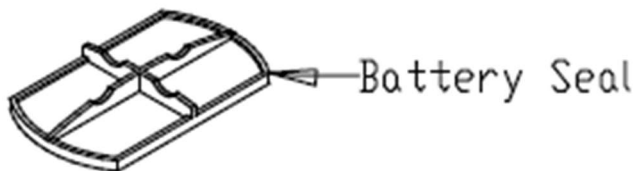
Installation Instructions:

Place the rubber gasket with the 6 recesses on top of the 4 Solenoid screws.
Place the Electronic Module on top of gasket and screw the both M4 screws through the oval slots each side.
Place the battery inside and cover with the battery seal.

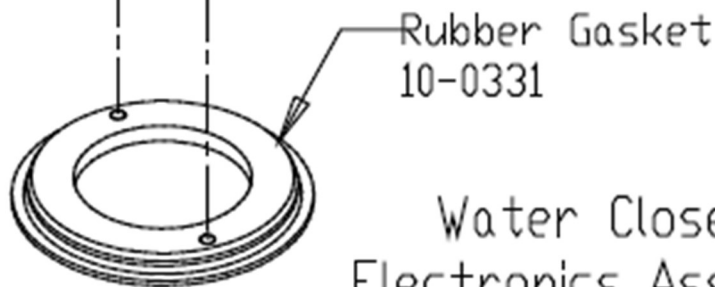
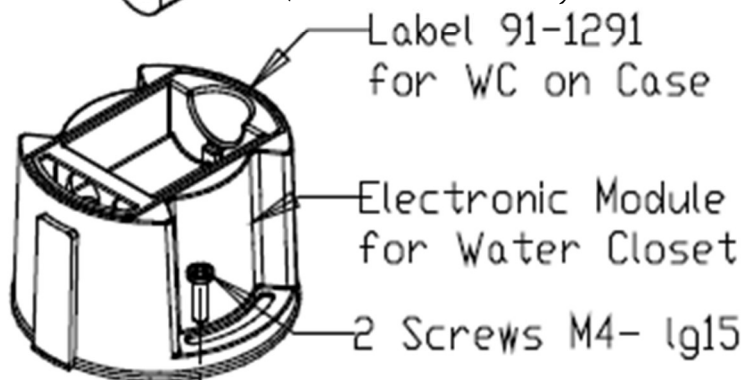
DIMENSIONS ARE IN INCHES (MILLIMETERS FOR REFERENCE ONLY).

THIS DRAWING HAS BEEN FURNISHED BY THE SPEAKMAN CO. THE INFORMATION AND KNOW-HOW THEREON MAY NOT BE USED NOR THE DRAWING REPRODUCED WITHOUT THE WRITTEN PERMISSION OF SPEAKMAN. ALL REPRODUCTIONS IN WHOLE OR IN PART, INCLUDING VENDOR'S SHOP DRAWINGS, SHALL BEAR OR REFER TO THIS STAMP.

<p>TOLERANCE UNLESS OTHERWISE SPEC'D X.X = ± .030" X.XX = ± .015" X.XXX = ± .005" FRACTIONAL = ± 1/64" ANGULAR = ± 1/2° CONC. WITHIN .006"</p>		<p>SPEAKMAN COMPANY WILMINGTON, DE</p>			
<p>DRAWN Alex Neagoe</p>		<p>CHK'D ALN</p>		<p>DWG NO. RPG76-0061</p>	
<p>DATE 07/20/07</p>		<p>APPRV'D GP</p>		<p>SCALE NONE</p>	
				<p>SHEET 1 OF 1</p>	
				<p>REV 3</p>	



BATTERY NOT INCLUDED
(Recommended battery #CR-P2 or #223)



Water Closet
Electronics Ass'y
RPG76-0061